



FARO 3D Imager AMP





[02 About the AMP](#)

[03 3D Imaging at a Whole New Level](#)

[06 The AMP Advantage](#)

[08 AMPlify your Processes](#)

[10 About FARO](#)

[11 The FARO Experience](#)

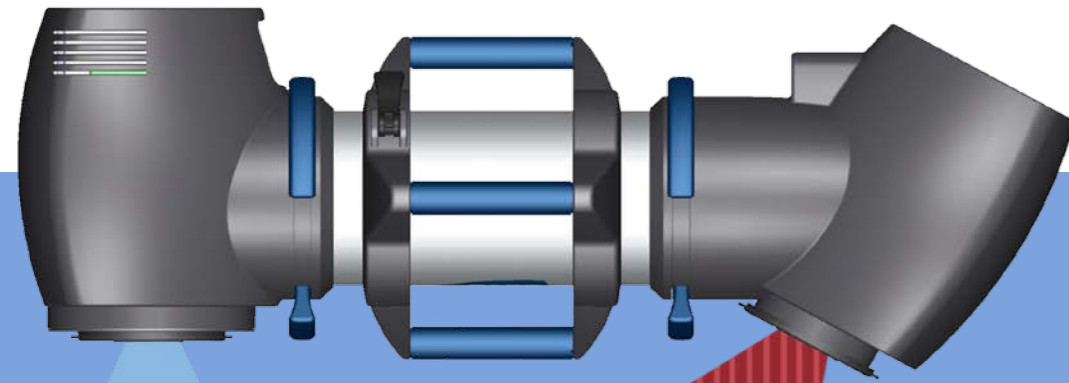
Unmatched 3D Imaging Accuracy

The FARO AMP is a high performance non-contact 3D Imager, capable of collecting millions of points in just seconds. Using patented technology, the AMP achieves groundbreaking accuracy never before possible on parts, assemblies and tools.

Encased in rugged armor, the AMP is ready for action on the shop floor, on the assembly line, or wherever you need to collect comprehensive part, assembly or tooling information. The AMP can handle all of your inspection and reverse engineering needs on complex surfaces including composites.

Not only is the AMP the most accurate 3D Imager today, but it also offers the best value.

3D Imaging at a whole new level



Only the FARO AMP has the patented cutting-edge technology, Accordion Fringe Interferometry (AFI). AFI uses lasers to generate infinitely-focused fringe patterns that are projected onto the part. When the fringes are captured with the AMP's camera, a highly accurate point cloud is created – generating a true representation of the part in the AMP's field of view. It is the accuracy of these fringes that sets the AMP apart from other projection methods.

The AMP's optical filtering blocks out unwanted wavelengths of light, enabling the measurement of parts with a wide range of colors and reflectivity as well as under variable lighting conditions.

High efficiency turbines require an innovative airfoil design and a highly accurate production process. The AMP provides critical data for accurate reverse engineering in the design phase, iterative feedback for establishing the production casting, and quality control for machining and assembly.



Automotive sheet metal part inspection is the key to early detection in order to minimize downtime and scrap. In-line inspection with the AMP enables comprehensive evaluation of sheet metal parts, making it possible to track the dimensional accuracy and address problems before they impact production.

The AMP Advantage



760 mm x 308 mm x 282 mm
(30 inches x 12 inches x 11 inches)



Overall weight 17 kg (37 lbs.)

Advanced Technology

Accordion Fringe Interferometry (AFI), FARO's patented laser projection technology delivers the highest accuracy available for the most demanding manufacturing tolerances.

Comprehensive Data Collection

A high resolution camera yields millions of points per image, making it easy to handle complete inspections and reverse engineering applications.

Measure a Wider Range of Parts

Patented laser projection and optical filtering enables better measurement of dark and shiny parts often missed by imaging systems.

Plant Floor Ready

With its portable, rugged and thermally-stable design, the FARO 3D Imager is right at home on the shop floor or the assembly line.

Flexibility

With automated and manual modes, the AMP can handle everything from in-process inspection to comprehensive reverse engineering.

Rock Solid Stability

Ultra-stiff crossbar enables the AMP to maintain specified performance in all orientations.

Return on Investment

FARO's 3D Imager offers tremendous value in delivering metrology solutions that result in a true return on investment.



Aerospace structures require high accuracy surfaces to ensure performance. Dimensional control of these parts and assemblies are essential for production. The AMP can inspect parts at the supplier and verify proper fit at the final assembly plant, reducing rework and scrap of these high value parts.

AMPLify your Processes

Quality Control – Improve product quality and reduce scrap

- *First article inspection*
- *Preliminary assessment*
- *In-process checks*
- *Final inspection*

Reverse Engineering – Get the necessary detail for documentation, design and simulations

- *As-built documentation*
- *Aftermarket product design*
- *Virtual assembly*
- *Simulation*

Rapid Manufacturing – Shorten the time to market

- *Rapid prototyping*
- *Tool modification*
- *Iterative product enhancement*





"One of the biggest reasons that we keep returning to FARO for solutions is because of the support that has been provided to us over the years. This support has been unsurpassed."

MAG Cincinnati



About FARO

FARO is a global technology company that develops portable 3D measurement instruments for inspection, imaging, reverse engineering, and surveying. Our focus is on simplifying our customers' work with tools that empower them to dramatically reduce their on-site measuring time and lower their overall costs.

As the pioneer in portable computer-aided measurement, we apply our unique knowledge and understanding of our clients' business goals to help them succeed. We empower our clients to exceed the demands placed upon them by applying the latest advances in technology to make FARO's industry-leading product offerings more accurate, reliable, and easier to use.

Our commitment to our customers extends well beyond product performance – with FARO you have 3D measurement peace of mind. Each FARO team member is completely focused on simplifying our customers' work, championing their innovation and ours, so our customers and their businesses can be more prosperous.



"FARO customer service and support makes a strong statement about the quality of the company. Obviously no one wants their equipment to falter; in the real world life happens. It is comforting to know when it does, you are not alone."

Elgin Air Force Base

The FARO Experience

Your purchase is just the beginning of your partnership with FARO. Our employees are known for building relationships – visiting your facility, getting to know your business, your processes, and providing measurement plans and training to help you get the most out of your FARO system.

FARO operates service and calibration facilities around the world and all are ISO 9001:2001 certified and ISO-17025 laboratory registered to service FARO's products. Each center provides warranty and post-warranty services. At FARO, our goal is to service, inspect, calibrate, and return your equipment within a timely manner.

FARO's training equips you with the knowledge necessary to execute measurements with confidence. From product setup, basic measurements, working with alignments and nominals, to advanced procedures and programming, we offer basic and advanced level classes at a FARO training center, or at your own facility. FARO also has experienced customer service representatives who offer telephone support for equipment or application-related questions.





FARO 3D Imager **AMP**

www.faro.com/3dimager