

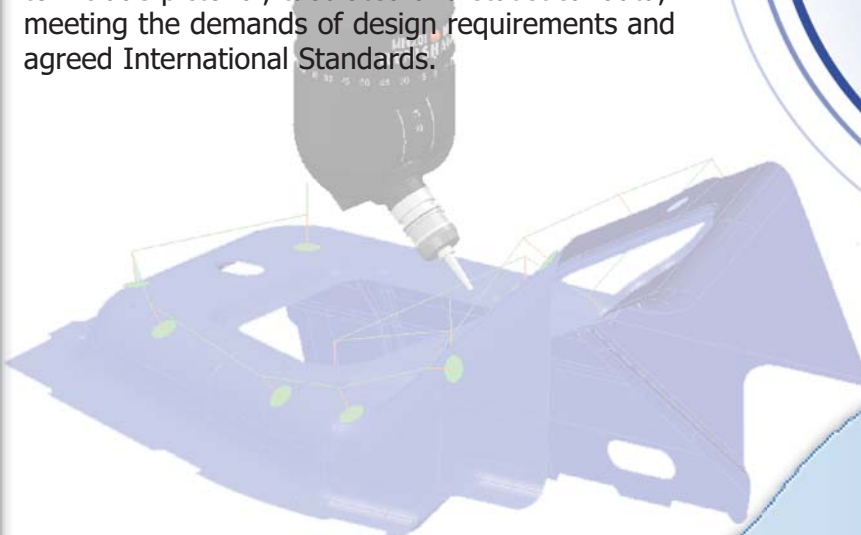
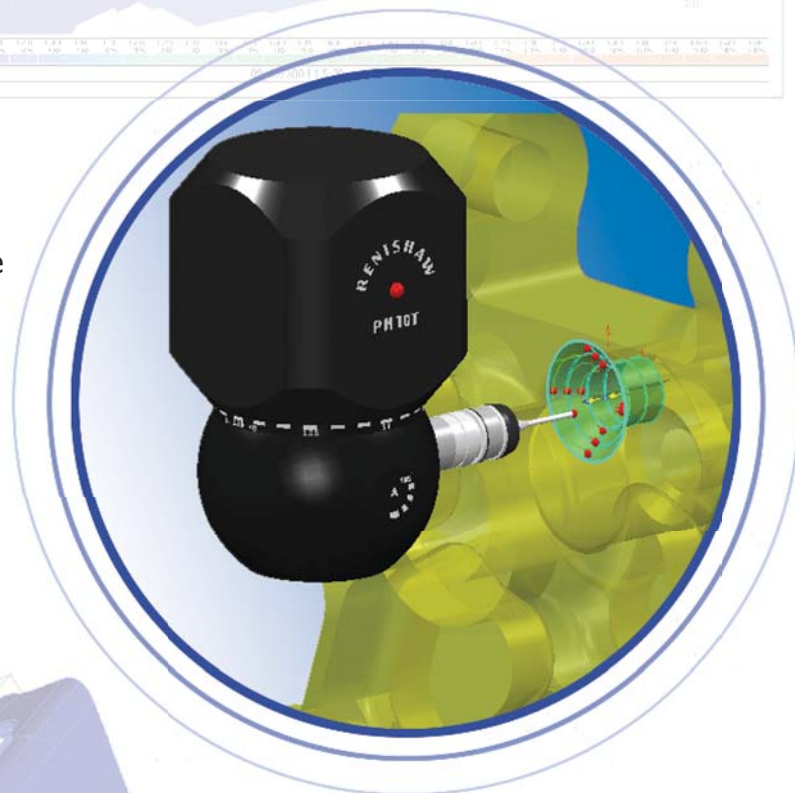


PowerINSPECT from Delcam leads the way in today's market by delivering a complete CAD-based Inspection Solution. PowerINSPECT surpasses traditional 2-dimensional inspection methods by offering you the capability to inspect against all your CAD data with any type of measurement device.

PowerINSPECT can be used with all types of inspection hardware including manual and CNC CMMs, portable arms, optical measuring devices and CNC machine tools.

It provides quality with ease of use, by having a simple user interface which is intuitive and easy to use. The learning curve is short, allowing the operator to get the most from the measuring device in the shortest possible time.

PowerINSPECT's on screen feedback and detailed graphical displays give immediate feedback for each measured point. Inspection reports can be generated automatically in a customised format to include pictorial, tabulated and statistical data, meeting the demands of design requirements and agreed International Standards.

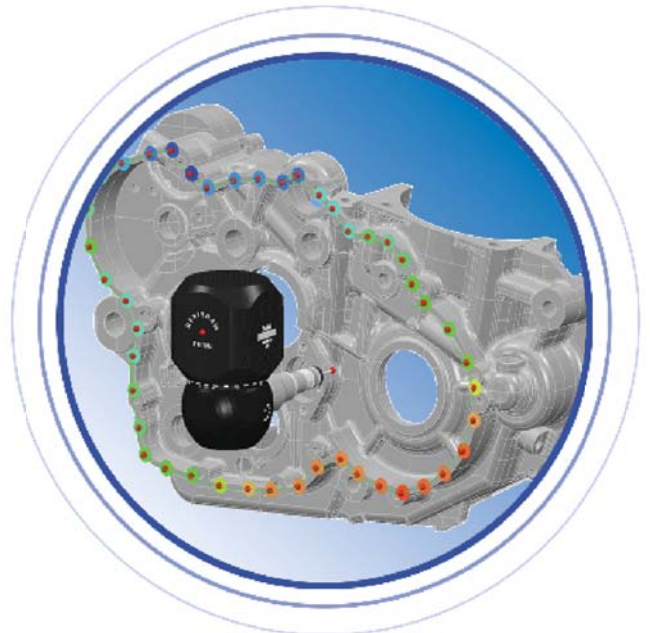


PowerINSPECT Gives You

- Comparison against all mainstream CAD formats
- Rapid alignment even for complex freeform shapes
- Inspection of user-defined sections
- The ability to inspect along the edge of a part
- Full Geometric Inspection capabilities
- Automatic creation of inspection features from CAD nominals
- A step by step Geometric Dimensioning & Tolerancing (GD&T) Wizard
- Point, wireframe and surface export for measured entities
- CAD manipulation - including surface offsetting (e.g. reverse side for sheet metal, spark gap for electrodes)

Quality Reporting

- Reports are presented graphically so that any discrepancies can be identified at a glance
- Customisable reports can be created to meet the exact requirements of the operator, customer or external quality bodies
- Anything from on-screen images to full reports can be printed



Years of Experience

Delcam has more than 20 years experience in developing and supplying CAD/CAM solutions into more than 80 countries. Delcam is unique among international CAD/CAM software companies in having an in-house engineering workshop and quality control department, which allows thorough testing of all software on real jobs with real quality requirements.